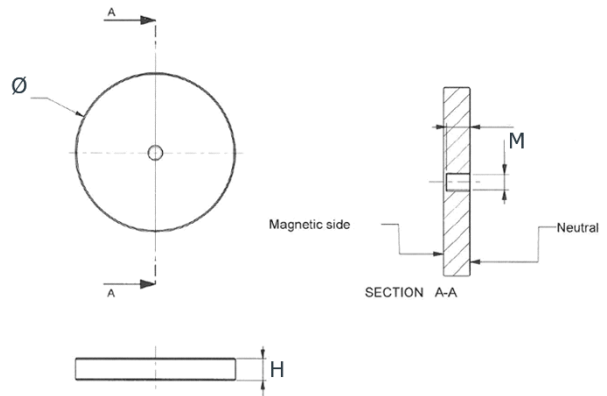


RUBBERIZED CIRCULAR MAGNETS WITH INTERIOR THREAD

30177510



PRODUCT

SPECIFICATIONS

Magnet, NBR
Rubberized

Material: Neodymium

Thread: M4 × 4

Force: 85N

H: 6 mm

ØD: 43 mm

Diesella

Diesella A/S | Marsvej 20 | DK-6000 Kolding
Tel. +45 7633 8888 | Fax +45 7633 8899 | info@diesella.dk | diesella.dk