

# Professional micrometer

# S\_Mike PRO

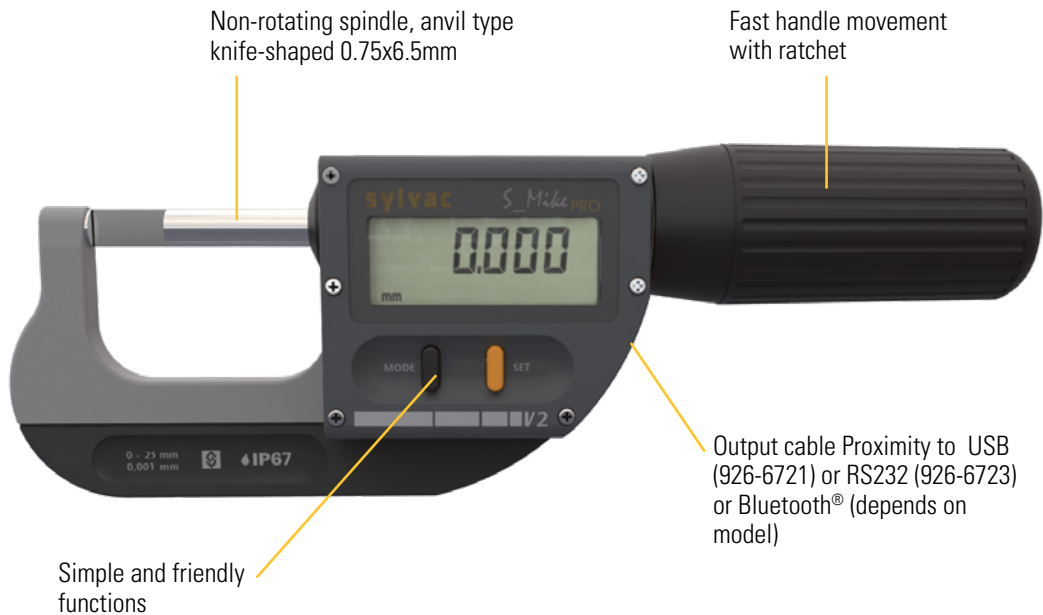
## DESCRIPTION

## KNIFE-SHAPED

- High-speed micrometer with non-rotating spindle with or without integrated Bluetooth® system
- Linear spindle feed 10 mm per revolution
- Tungsten carbide measuring anvils, knife type, thickness 0.75 x 6.5 mm
- Possibility to obtain this micrometer with anvils of different thickness (minimum 0.4 mm) on request.
- Display resolution 0.001 mm
- Ratchet system cancels operator influence and guarantees excellent repeatability
- Switchable measuring force 5 or 10 N for the 0-25 mm model
- Proximity data output for non-Bluetooth® models
- All models are available in Bluetooth® version on request.
- Measuring range up to 95 mm
- Protection class IP67



D



**DIN 863**



**SIS** Smart Inductive System



**IP67**



**Knife-shaped**



\* SIS description on page 5

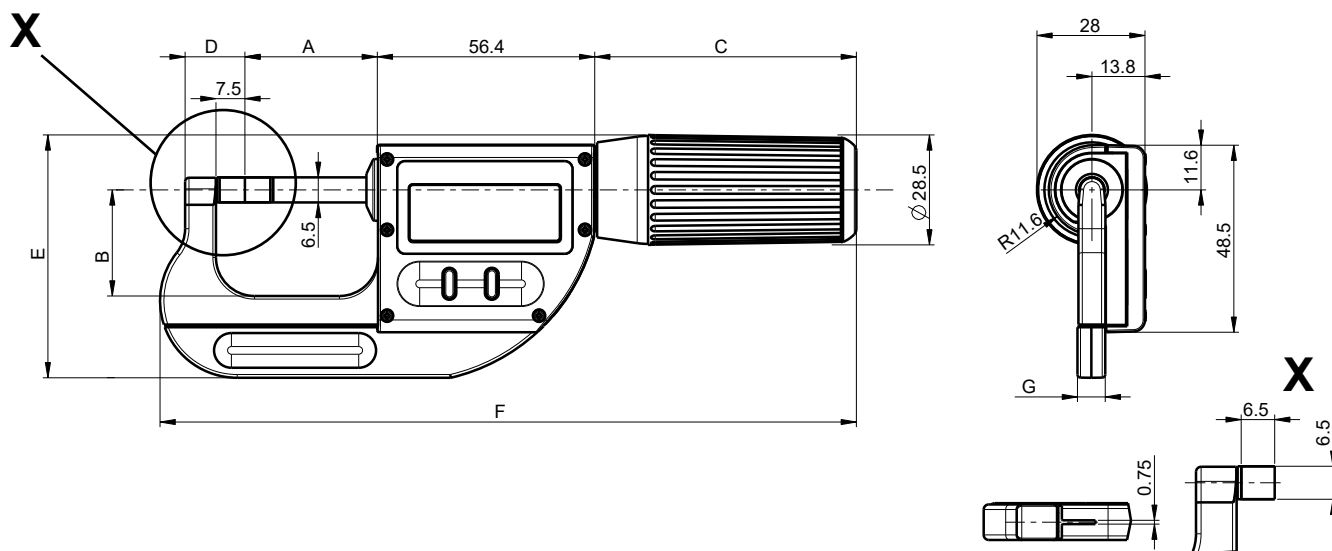


# Professional micrometer

# S\_Mike PRO

## DIMENSIONAL DRAWING

## KNIFE-SHAPED



## TECHNICAL SPECIFICATIONS

		803-0302	903-0602	903-1002	903-1302	903-1602	803-0308
Measuring range	mm	0-25	25-60	60-95	95-130	120-155	0-25
Max. Error G <sup>1)</sup>	µm	3	4	5	6	7	3
Repeatability <sup>2)</sup>	µm	1	1	1	2	2	1
Anvils types		0.75x6.5					0.75x6.5
A	mm	34.3	70.3	106.3	140.3	165.3	34.3
B	mm	27.5	43	60	95	110	27.5
C	mm	68	74	74	74	74	68
D	mm	15.5	16.5	17.5	22.5	22.5	15.5
E	mm	63	86	106	151	169	63
F	mm	181	230	269	306	339	181
G	mm	7.2	9	9	9	9	7.2
Output data		USB / RS 232 <sup>3)</sup>					Bluetooth*
Prot. rating accor. to IEC 60529		IP67 even connected					
Setting by PC		●					
Adjustable measuring force		5N / 10N	10N				5N / 10N
Non-rotating spindle		●					
Fast movement		●					
Preset function		●					
Smart Inductive Sensor		●					

<sup>1)</sup> according to DIN 863

<sup>2)</sup> ± 1 digit

<sup>3)</sup> see cables chapter

\* Up to 8 instruments connected per dongle #981-7100