



Digital display

D300S V2

DESCRIPTION

- Multifunctional units for connecting both capacitive probes and handheld instruments connected via USB cable or Bluetooth®
- Housing made of aluminium profile and ABS plastic
- Large 8.5" colour touch screen
- Available in several versions with different connection possibilities :
 - 804-1300: 2 inputs for capacitive sensors and 6 USB inputs
 - 804-1310: 4 inputs for capacitive sensors and 6 USB inputs
 - 804-1320: input for M-BUS modules and 6 USB inputs
 - 804-1330: input for M-BUS modules, 2 inputs for capacitive sensors and 6 USB inputs
 - 804-1340: input for M-BUS modules, 4 inputs for capacitive sensors and 6 USB inputs
- Intuitive interface to create up to 64 pages with up to 8 display channels per page, create channel combinations, perform dynamic measurements or create sequences
- Display resolution up to 0.0001 mm (0.1 µm)
- I/O terminal block with opto-coupled inputs/outputs
- 2 connectors for optional pedal 904-4101
- VGA output for external display connection
- Ethernet RJ-45 connector
- USB and RS232 data outputs
- IP65 liquid-proof front panel for workshop use

Large touchscreen 8.5" protected against liquids IP65

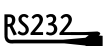


Output cable USB to USB (804-1210) and output cable RS232 to RS232 (925-5609)



Fully configurable user interface allowing to define the number of displayed channels per screen

Ergonomic keyboard



* Dongle Smart required



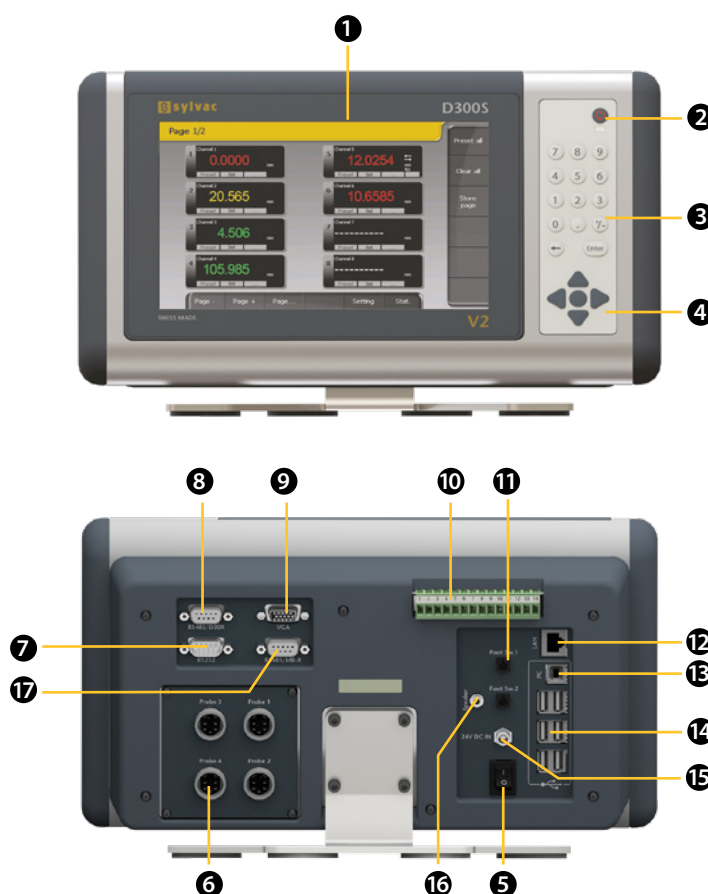
Digital display

D300S V2

INTERFACE | HARDWARE

- ❶ Touchscreen 8.5"
- ❷ ON/OFF button for LCD
- ❸ Numeric keyboard
- ❹ Navigation keyboard
- ❺ ON/OFF switch
- ❻ Capacitive probes inputs
- ❼ RS-232 instrument input or PC connection ¹⁾
- ❽ RS-485 input
- ❾ VGA output
- ❿ Opto-coupled digital output
- ⓫ 2 inputs for external contacts
- ⓬ RJ-45 Ethernet
- ⓭ USB Device connector
- ⓮ 6 USB Host inputs
- ⓯ 24VDC connector
- ⓰ Audio jack connector
- ⓱ RS485 connector for connecting MB-X modules

¹⁾ depends on configuration



TECHNICAL SPECIFICATIONS

	804-1300	804-1320	804-1310	804-1330	804-1340
Model	D300S-2	D300S-4	D300S		
Inputs *	2 probes**	4 probes**	M-Bus**	2 probes / M-Bus**	4 probes / M-Bus**
Max error	µm	6 USB**			
Max. Error ¹⁾	µm	P2 : 1.5 / P5 : 1.6 / P10 : 1.6 / P25 : 1.9	---	---	---
Repeatability	µm	P2 : 0.5 / P5 : 0.6 / P10 : 0.6 / P25 : 0.8	---	---	---
Overall dimensions	mm	P2 : 0.2 / P5 : 0.2 / P10 : 0.2 / P25 : 0.2	---	---	---
Weight	kg	330 x 175 x 77			
Case		3.3			
Protection rating according to IEC 60529		Steel / Plastic			
Output data		IP40			
Programmable by PC		USB / RS232			
		●			

¹⁾ Probe and unit calibrated

* Extensible to 32 probes and 12 USB instruments



Digital display

D300S V2

STANDARD DELIVERY

- Unit according to technical specifications
- Table base
- External contact (foot-pedal)
- Charging unit according to country (804-4000)
- Instruction manual

APPLICATIONS



Many instruments connected to the D300S with live displayed colored values to indicate the tolerances



Multi-gauging measurement using D200S interface and D300S display



Measurement using PS17 bench Automatic detection of measuring channel and automatic switch to the right window



Multiple instruments connection through Bluetooth® wireless technology



Multiple instruments connection through M-BUS inputs



Dial gauges with Bluetooth® wireless technology connected to D300S

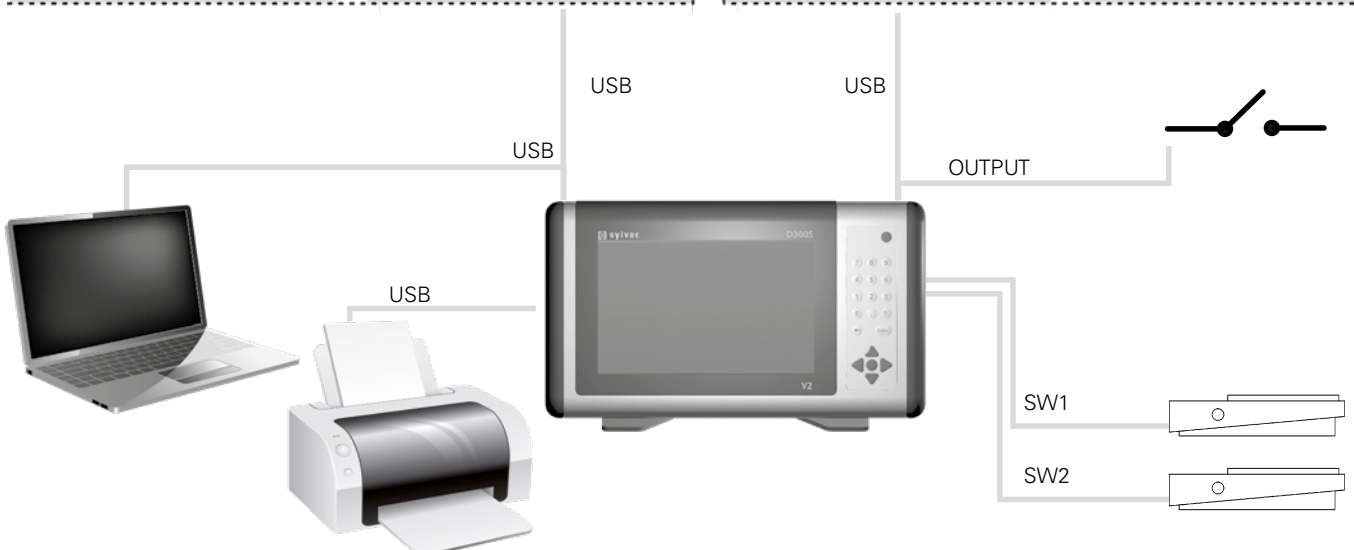
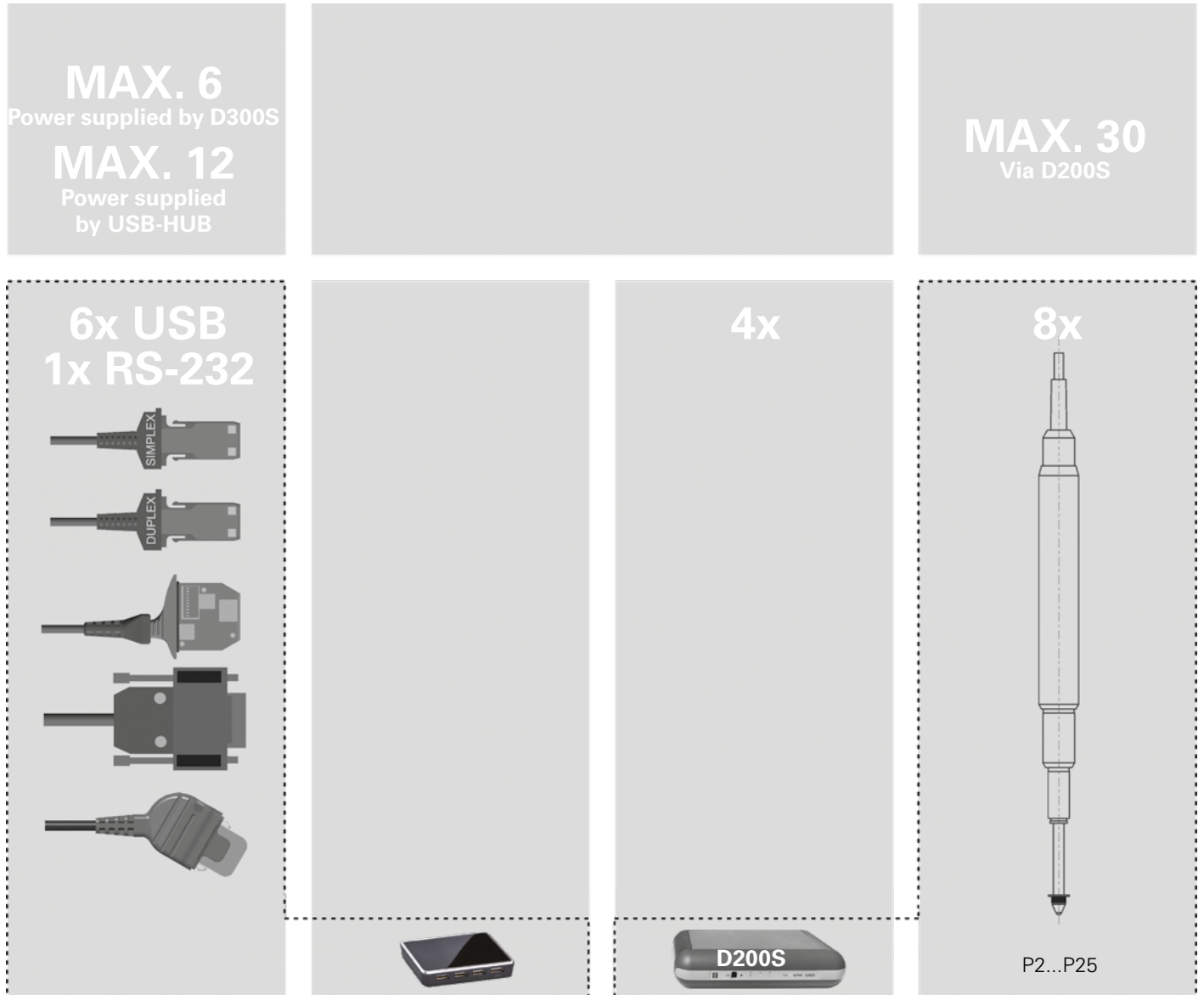
H



Digital display

D300S V2

POSSIBILITIES OF CONNECTION WITH ACCESSORIES



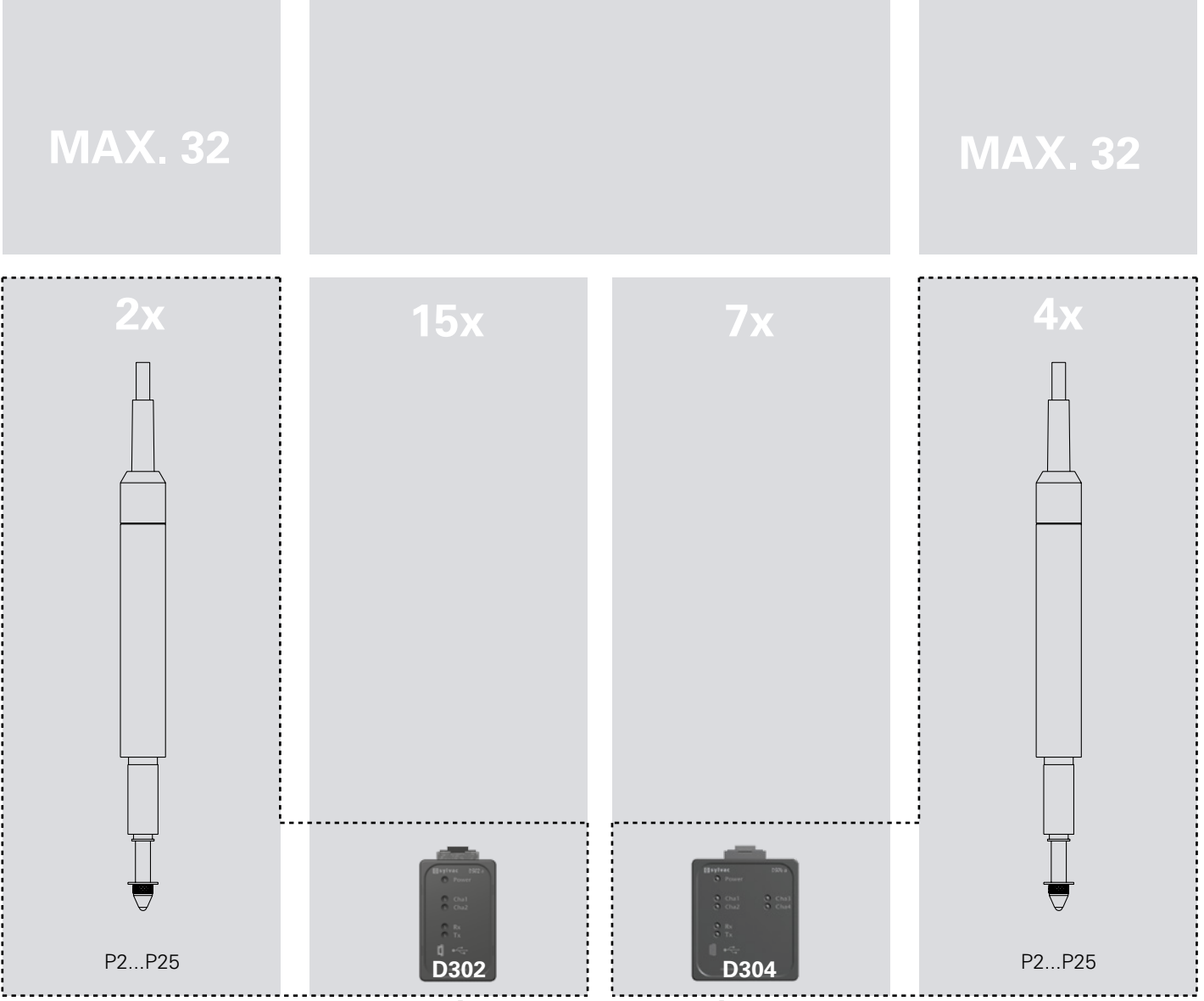
H



Digital display

D300S V2

POSSIBILITIES OF CONNECTION WITH ACCESSORIES



H



Digital display

D300S V2

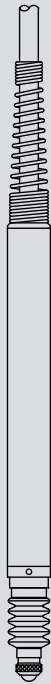
POSSIBILITIES OF CONNECTION WITH ACCESSORIES

MAX. 32

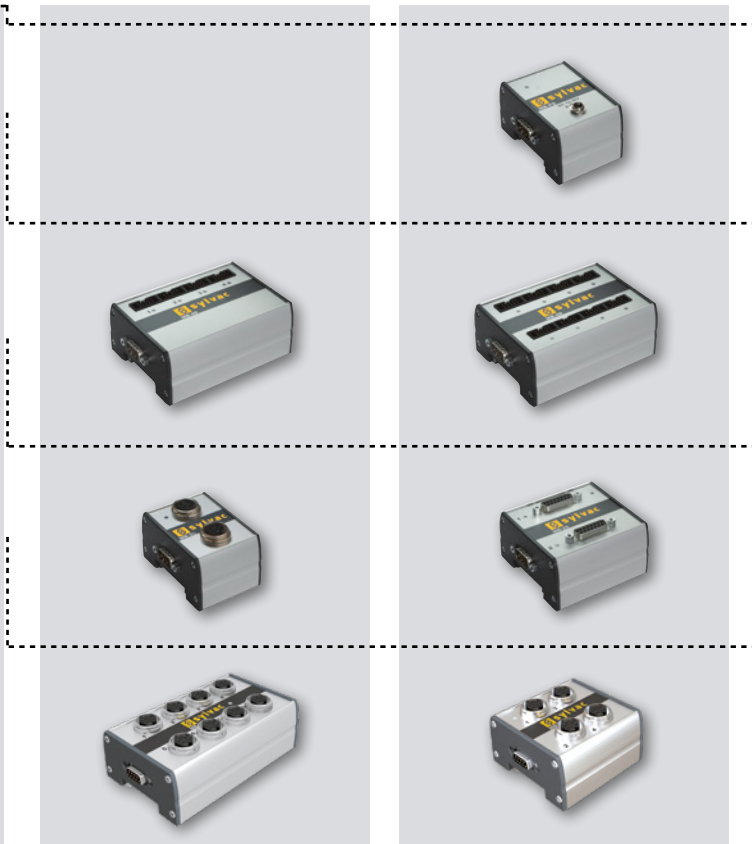
Compatible with all M-BUS modules, except MB-RS, MB-AG and MB-BT

MAX. 32

2 - 8x*



P2i / P2iP / P5i / P5iP

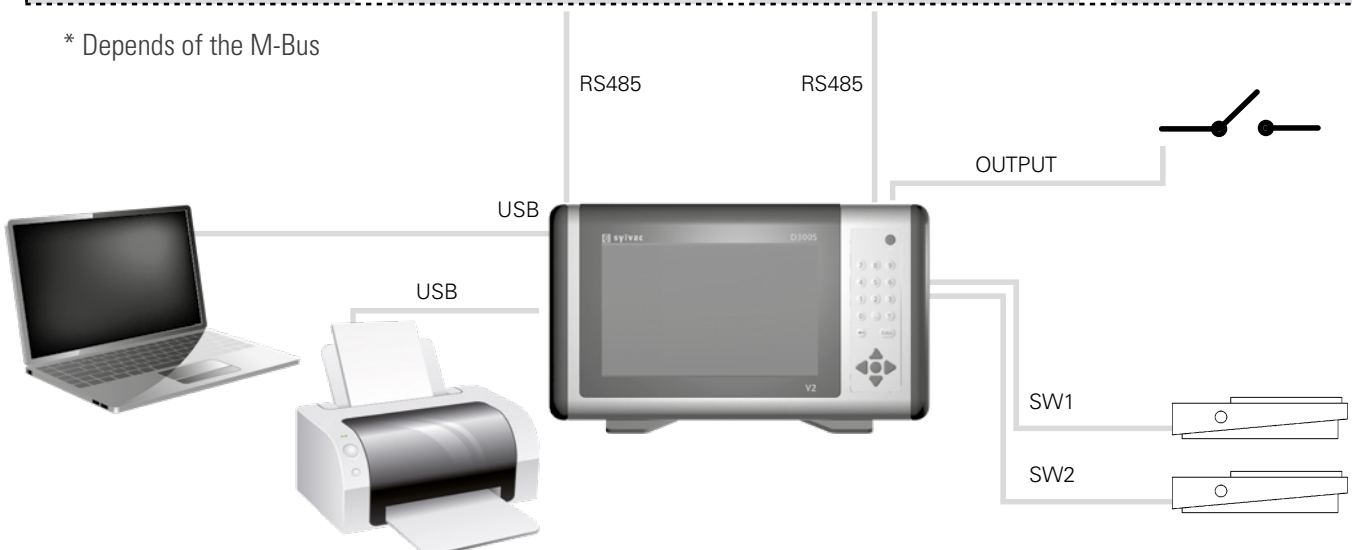


2 - 8x*



P2i / P2iP / P5i / P5iP

* Depends of the M-Bus

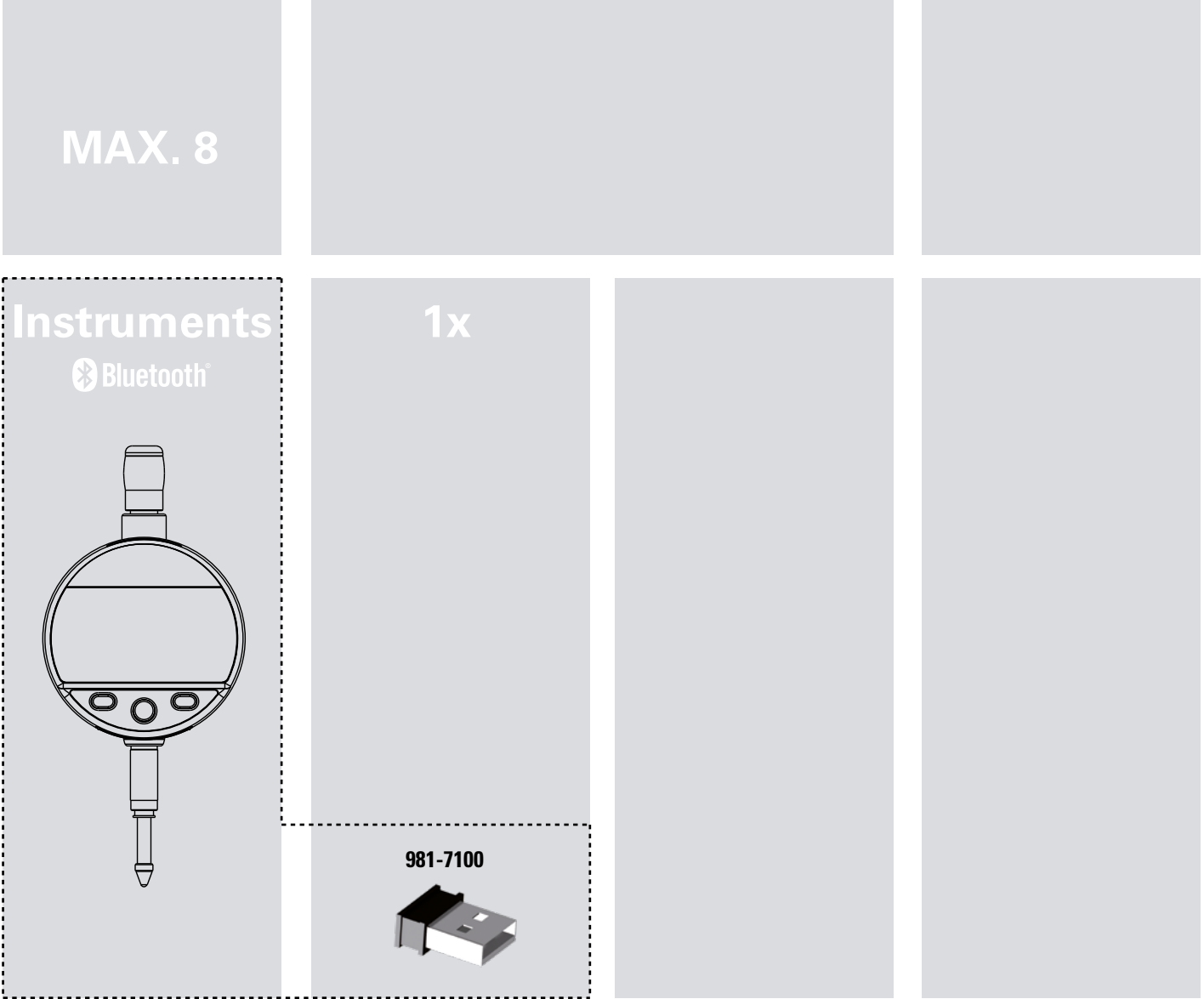




Digital display

D300S V2

POSSIBILITIES OF CONNECTION WITH BLUETOOTH® WIRELESS TECHNOLOGY



H

