

1

2

3

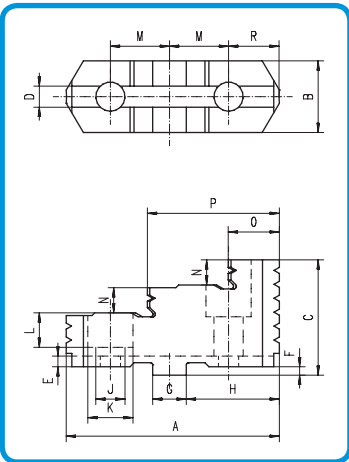
4

5

6



HARTE AUFSATZBACKEN
HARD TOP JAWS



BISON Futter Typ	Futtergröße	Artikel Nr.	A	B	C	D	E	F	G	H	J	K	L	M	N	O	P	R	kg / Stück
																			kg / pc.
BISON Chuck Type	Chuck Size	Code No.																	
32**, 35**	125	● 398532820500	56	22,0	38,5	7,95	4,0	3,2	12,69	22,6	9	15	10,0	16,00	8,0	14,5	35,0	13,0	0,2
36**, 37**	125	● 398537820600																	
38**	125	● 398540820600	56	22,0	38,5	7,95	4,0	3,2	12,69	22,6	6,6	11	10,0	16,00	8,0	14,5	35,0	13,0	0,2
32**, 35**	160	● 398532830700	67	25,0	41,5	7,95	4,0	3,2	12,69	28,6	11	18	12,0	19,05	8,5	18,0	41,5	16,0	0,3
36**, 37**	160	● 398537830800																	
38**	160	● 398540830800	67	25,0	41,5	7,95	4,0	3,2	12,69	28,6	9	14	12,0	19,05	8,5	18,0	41,5	16,0	0,3
32**, 35**	200	● 398532840900	80	27,0	43,5	7,95	4,0	3,2	12,69	34,9	11	18	12,0	22,25	9,5	21,5	51,0	19,0	0,4
36**, 37**	200	● 398537840000																	
38**	200	● 398540840000	80	27,0	43,5	7,95	4,0	3,2	12,69	34,9	9	14	12,0	22,25	9,5	21,5	51,0	19,0	0,4
32**, 35**	250	● 398532850000																	
36**, 37**	250	● 398537850100	95	32,5	51,5	12,71	4,0	3,2	19,04	39,7	14	20	14,5	27,00	12,0	24,5	59,0	22,0	0,6
38**	250	● 398540850100																	
32**, 35**	315	● 398532860200																	
36**, 37**	315	● 398537860300	110	37,0	55,0	12,71	4,0	3,2	19,04	47,6	14	20	14,5	31,75	13,0	26,5	68,0	35,4	0,9
38**	315	● 398540860300																	
32**, 35**	400	● 398532870400																	
36**, 37**	400	● 398537870500	127	42,0	64,5	12,71	4,0	6,3	19,04	57,1	18	26	18,5	38,10	13,5	27,0	76,5	28,5	1,4
38**	400	● 398540870500																	
32**, 35**	500	● 398532880600																	
36**, 37**	500	● 398537880700	127	42,0	74,5	12,71	4,0	6,3	19,04	57,1	22	33	21,0	38,10	17,0	50,0	88,0	28,5	1,6
38**	500	● 398540880700																	
32**, 35**	630	● 398532890800																	
36**, 37**	630	● 398537890900	127	52,0	82,0	12,71	4,0	6,3	19,04	57,1	22	33	21,0	38,10	21,0	51,0	89,0	28,5	2,4
38**	630	● 398540890900																	
32**, 35**	800	● 398532890800																	
36**, 37**	800	● 398537900300	127	52,0	82,0	12,71	4,0	6,3	19,04	57,1	22	33	21,0	38,10	21,0	51,0	89,0	28,5	2,4
38**	800	● 398540891100																	
32**, 35**	1000	● 398532800100																	
36**, 37**	1000	● 398537901600	175	75,0	97,0	12,71	4,5	6,3	19,04	95,2	24	35	23,0	38,10	28,0	48,0	124,0	67,0	5,5
38**	1000	● 398540892400																	

Ø 125 - 1000 mm

SGT